

Product: circulator

Part Number: LHX-0.95/1.15-N



Specification				
No	Parameter	25℃	-10~+60℃	Units
1	Frequency range	0.95-1.15		GHz
2	Insertion Loss	≤0.4dB ≤0.3dB @1030-1090MHz	≤0.5dB 0.4dB @1030-1090MHz	dB
3	Isolation	≥20dB ≥23dB @1030-1090MHz	≥18dB ≥20dB @1030-1090MHz	dB
4	Return loss	≥20dB ≥23dB @1030-1090MHz	≥20dB ≥23dB @1030-1090MHz	dB
5	Impedance	50		Ω
6	Forward Power	400W CW ; 6000w/pk		
7	Operating Temperature Range	-10~+60℃		
8	Connector	N		
9	Direction	1→2→3 clockwise		
10	Preferred finish Colour	silver		

Mechanical Specifications	
Housing	Alloy
Connector	Gold plated brass
Contact:	copper
Rohs	compliant
Weight	0.2kg

Outline Drawing:

All Dimensions in mm

Tolerances : Unnoted tolerances are in class m of GB-T1804-2000

All Connectors: N

成都利德尔科技有限公司 ChengDu Leader Microwave Technology Co.,Ltd

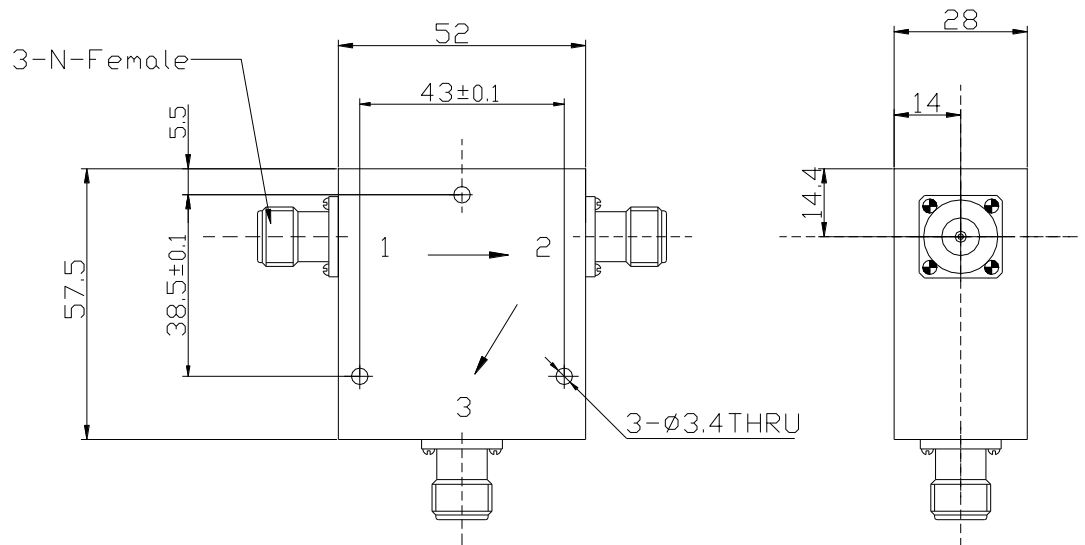
电话: 028-65199117 传真: 028-65199116

<http://www.leadermicrowave.com> sales@leader-mw.com

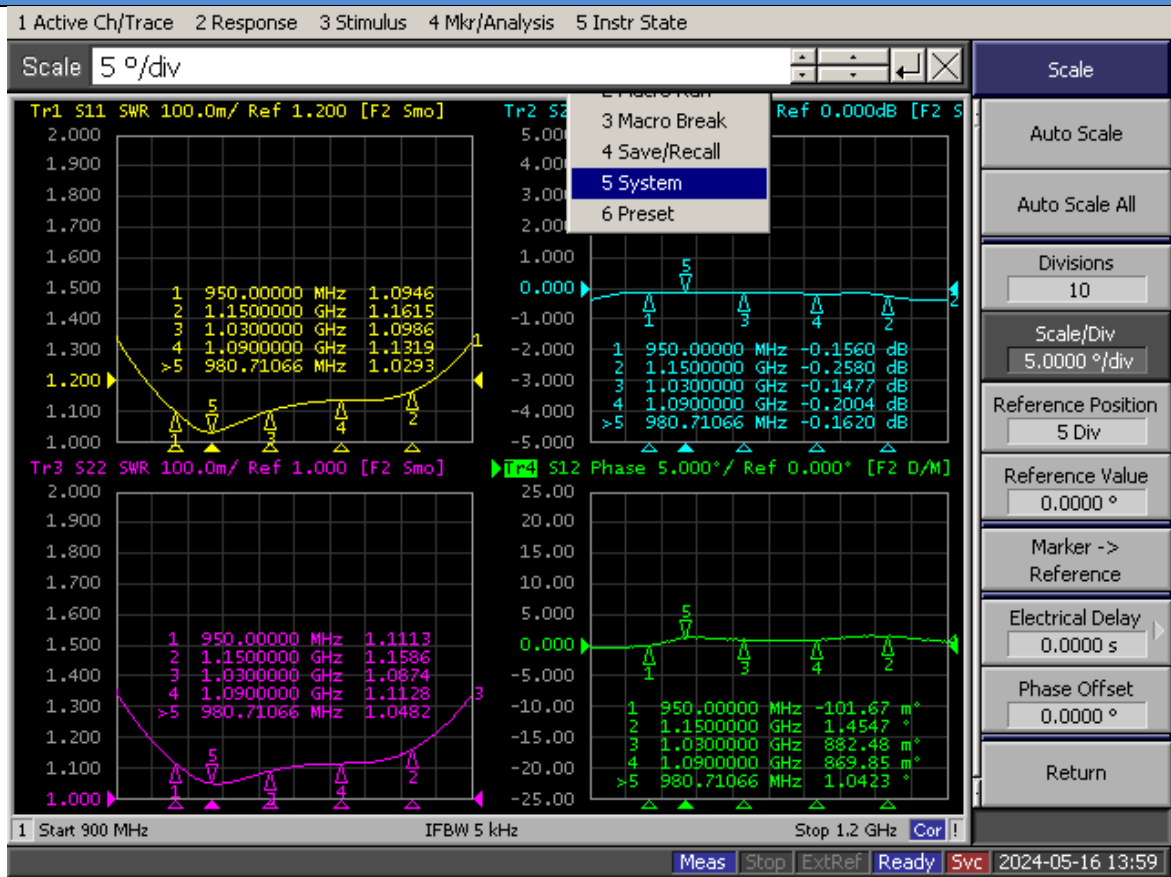
TEL: +86-28-65199117 FAX: +86-28-65199116

Add: 中国 成都市成华区华翰路 89 号 610000

No.89,Huahan Road, chenghua Zone Chengdu, Sichuan China Zip Code:610000



Test data



成都利德尔科技有限公司 ChengDu Leader Microwave Technology Co.,Ltd

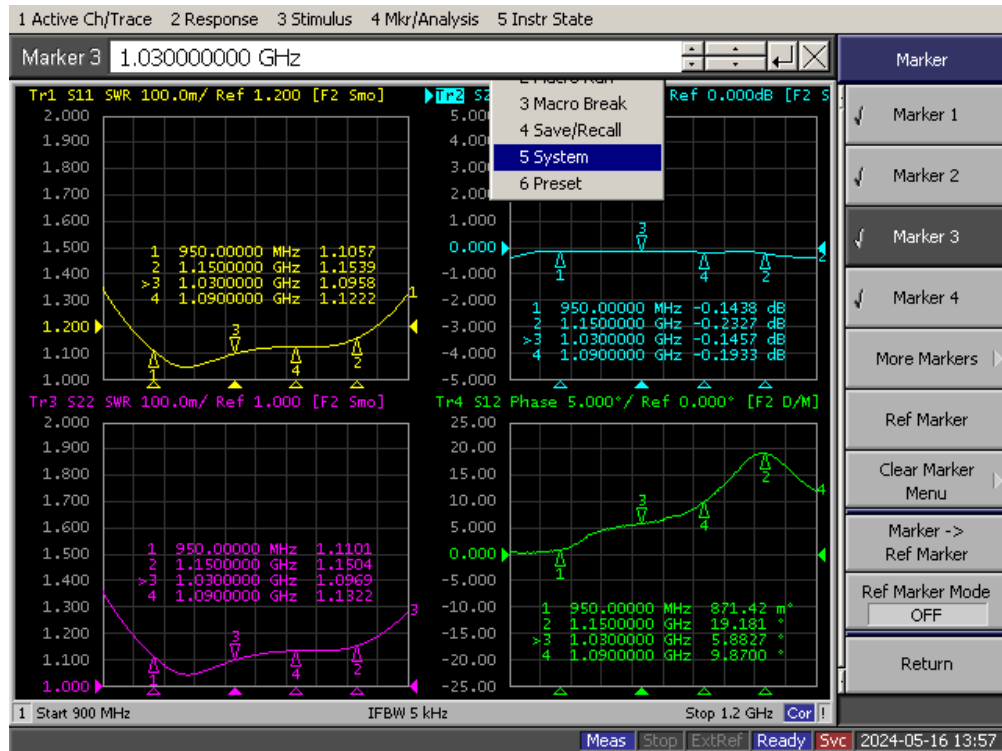
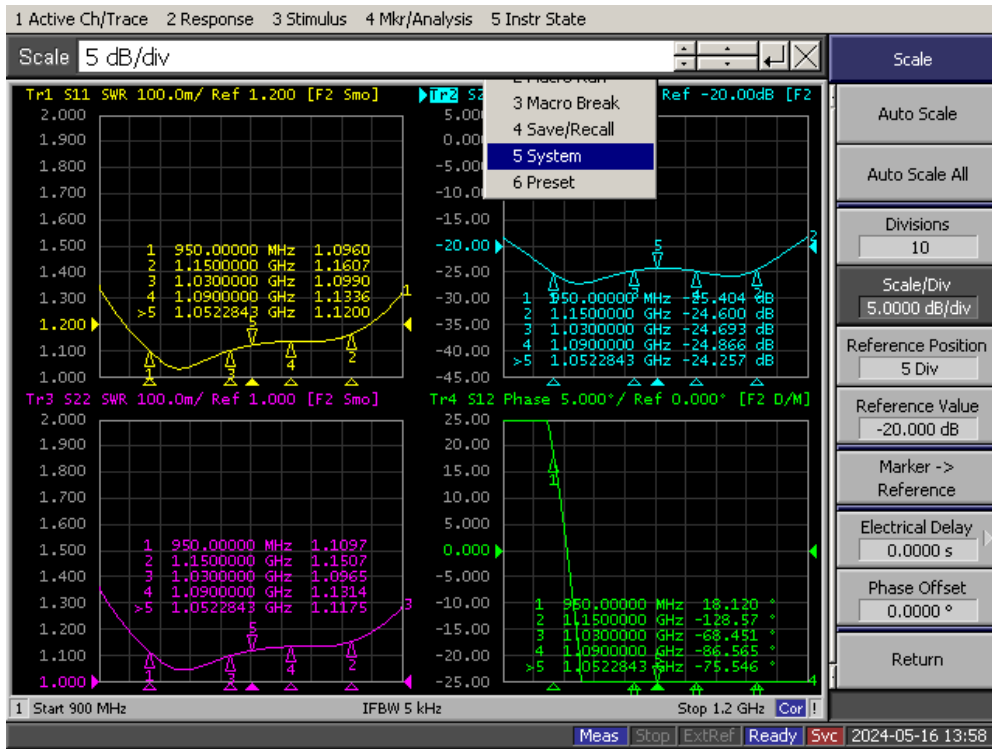
电话: 028-65199117 传真: 028-65199116

<http://www.leadmichrowave.com> sales@leader-mw.com

TEL: +86-28-65199117 FAX: +86-28-65199116

Add: 中国 成都市成华区华翰路 89 号 610000

No.89,Huahan Road, chenghua Zone Chengdu, Sichuan China Zip Code:610000



成都利德尔科技有限公司 ChengDu Leader Microwave Technology Co.,Ltd

电话: 028-65199117 传真: 028-65199116

<http://www.leadermicrowave.com> sales@leader-mw.com

TEL: +86-28-65199117 FAX: +86-28-65199116

Add: 中国 成都市成华区华翰路 89 号 610000

No.89,Huahan Road, chenghua Zone Chengdu, Sichuan China Zip Code:610000